

Brand Introduction:

Fusital is the luxury brand created by Valli&Valli which is now one of the world's most respected brands in designer door handles.

Resulting from the far-sighted vision of giving real life to the handle with a new identity capable of adding value to the furnishing product, when in the past it was only a functional component, Carlo Edoardo Valli conceived a landmark project by establishing the Fusital trade-mark in 1976. Fusital represents the creation of "artistic handles" for doors and windows. Relying on consolidated values, industrial credibility and image strength as a basis, Valli&Valli succeeded in evolving as the premier company in its field by collaborating with world-class architects in realising designer architectural hardware. The Fusital range of door and window handles has received an overwhelmingly enthusiastic response from customers all over the world.

Currently, the Fusital collection is available in more than 55 series and this clearly justifies its strength in offering customers who lean towards the twin beliefs of: individualism and exclusiveness.

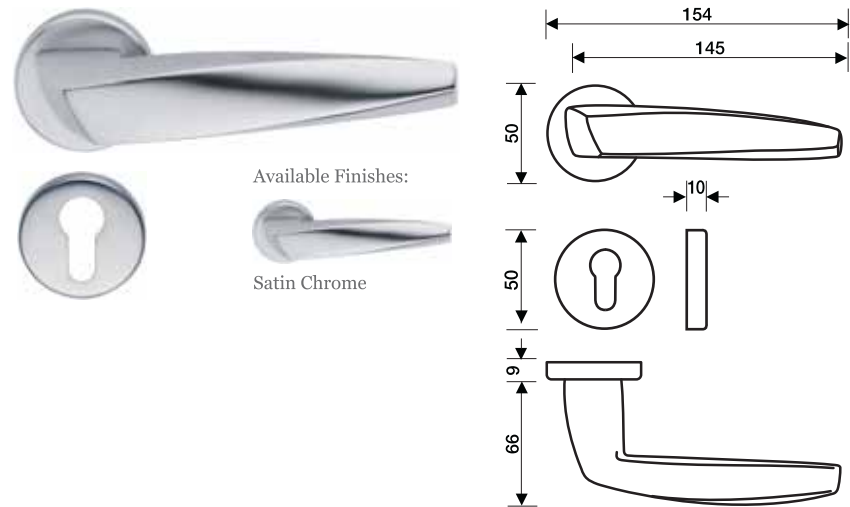
Architects featured include:

Frank O. Gehry, Zaha Hadid, Skidmore, Owings & Merrill (SOM), Fabio Novembre, Eero Aarnio, Ron Arad, Gae Aulenti, Mario Bellini, Cini Boeri, Achille Castiglioni, Pierluigi Cerri, David Chipperfield Architects, Antonio Citterio, Droog Design- Ronald Lewerissa, D'Urbino-Lomazzi, Foster and Partners, Massimiliano e Doriana Fuksas, Michael Graves, Gregotti Associati, Hans Kollhoff, Yoshimi Kono, Leon Krier, Chi Wing Lo, Vico Magistretti, Odile Decq-Benoit Cornette, Angelo Mangiarotti, Richard Meier, Renzo Mongiardino, Jean Nouvel, John Pawson, Gustav Peichl, Piano Design Workshop, Andrée Putman, Alan Ritchie- Philip Johnson Architects, Aldo Rossi, Sottsass Associati, Taller Design Ricardo Bofill, Matteo Thun, Marco Zanuso and Jan Kleihues.

H5021 R8Y

Serie Arrowhead

Designer : Frank O. Gehry
Material : Stainless Steel 316

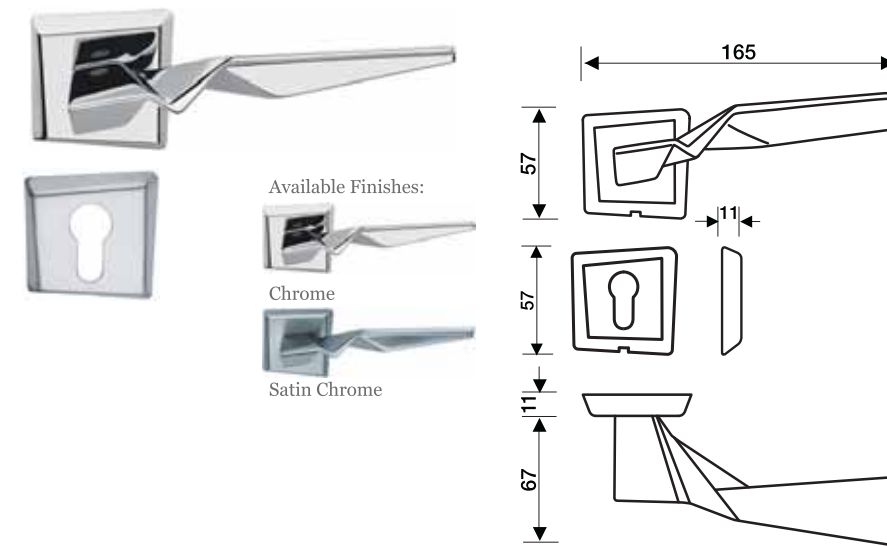


Available Finishes:
Satin Chrome

H356 R8Y

Serie ZH Duemilacinque

Designer : Zaha Hadid con Woody Yao
Material : Nikrall Lega Zama UNI 3717

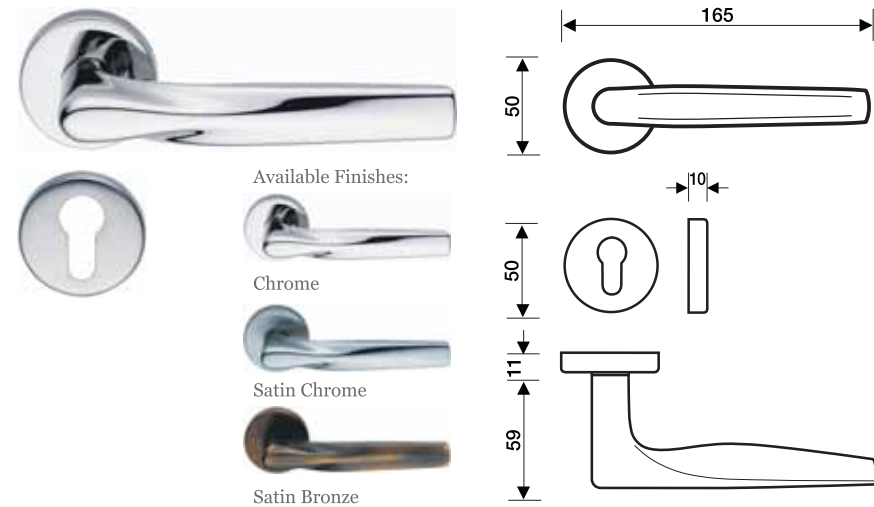


Available Finishes:
Chrome
Satin Chrome

H359 R8Y

Serie SOM New York Duemilasette

Designer : Skidmore,
Owings and Merrill (SOM)
Material : Brass

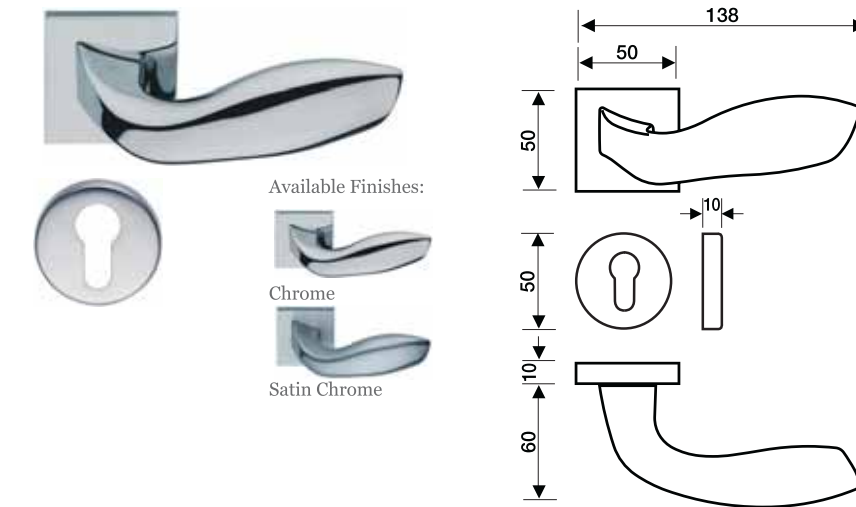


Available Finishes:
Chrome
Satin Chrome
Satin Bronze

H354 R8Y

Serie FOG Duemilaquattro

Designer : Frank O. Gehry
Material : Brass

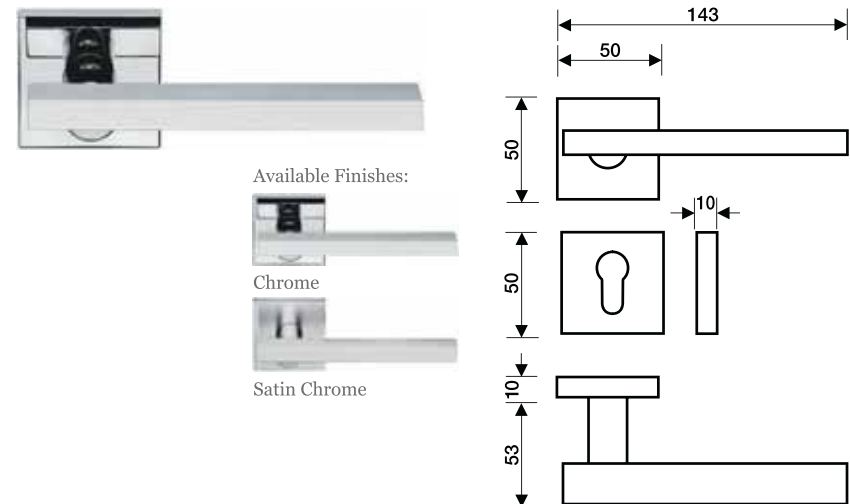


Available Finishes:
Chrome
Satin Chrome

H358 R8Y

Serie JP1 Duemila

Designer : John Pawson
Material : Brass

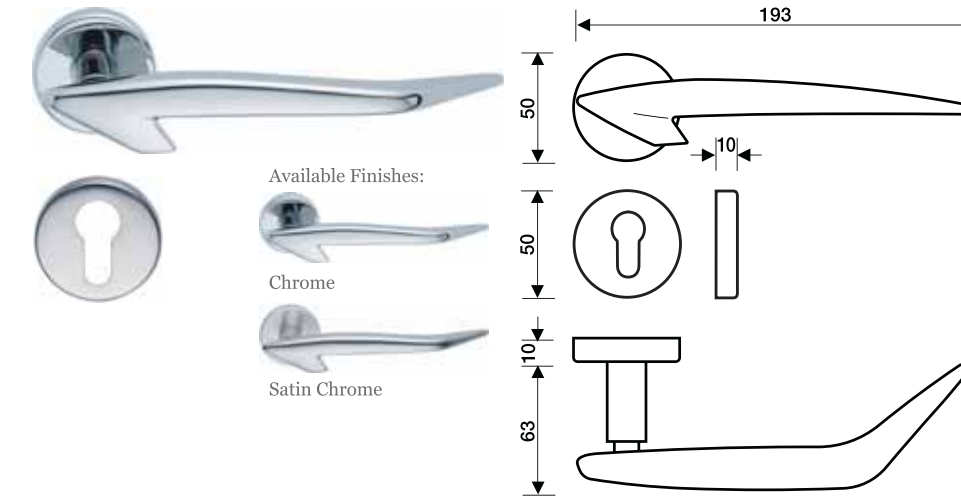


Available Finishes:
Chrome
Satin Chrome

H352 R8Y

Serie ODBC Duemiladue

Designer : Odile Decq -
Benoit Cornette
Material : Brass



Available Finishes:
Chrome
Satin Chrome

H351 R8Y

Serie AR Duemiladue

Designer : Alan Ritchie
 – Philip Johnson Architects
 Material : Brass



Available Finishes:



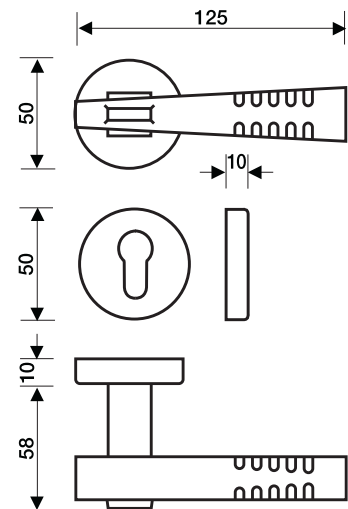
Chrome



Satin Chrome



Brass



H338 R8Y

Serie YK Duemila

Designer : Yoshimi Kono
 Material : Brass



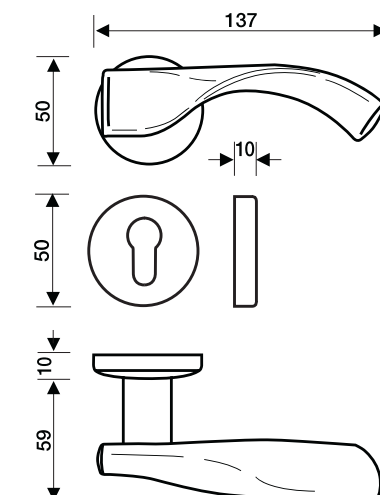
Available Finishes:



Satin Chrome



Satin Brass



H350 R8Y

Serie CA Duemiladue

Designer : Cerri & Associati
 Material : Brass



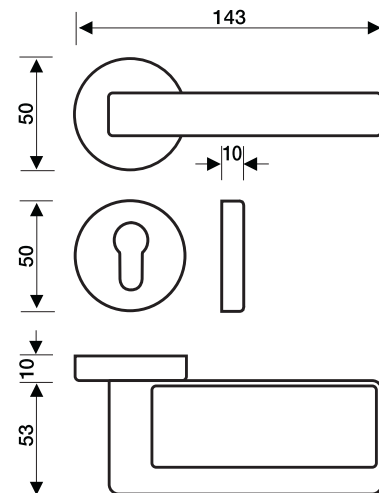
Available Finishes:



Chrome



Satin Chrome



H311 R8Y

Serie Sei MB

Designer : Mario Bellini
 Material : Brass



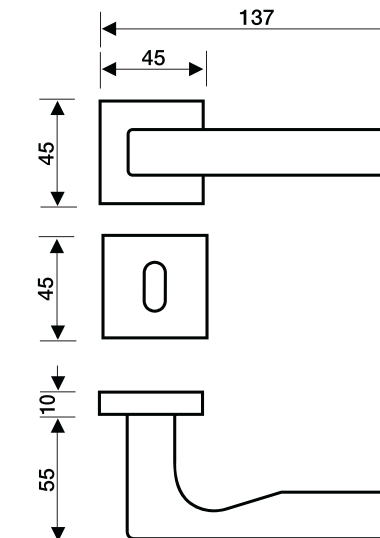
Available Finishes:



Satin Chrome



Chrome



H348 R8Y

Serie DC Duemiladue

Designer : David Chipperfield Architects
 Material : Brass



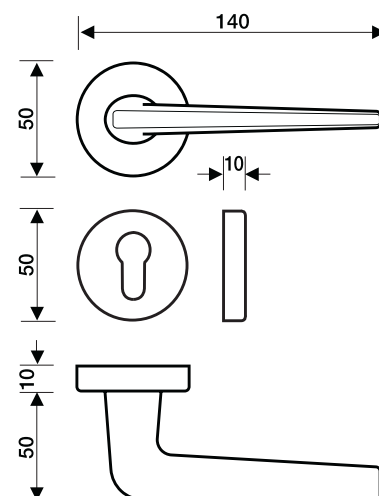
Available Finishes:



Chrome



Satin Chrome



H343 R8Y

Serie JP Duemila

Designer : John Pawson
 Material : Brass



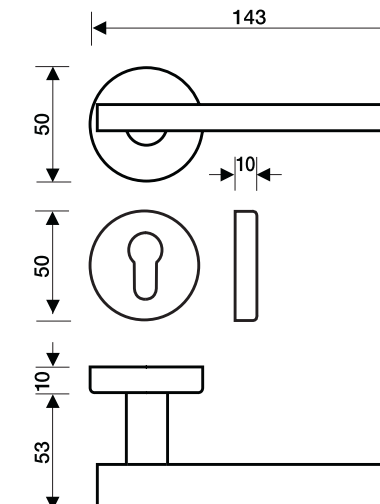
Available Finishes:



Chrome



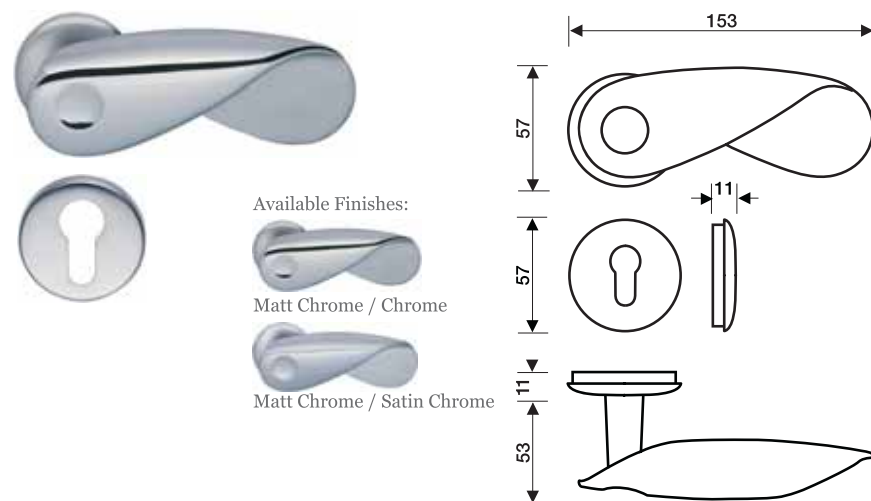
Satin Chrome



H342 R8Y

Serie RA Duemila

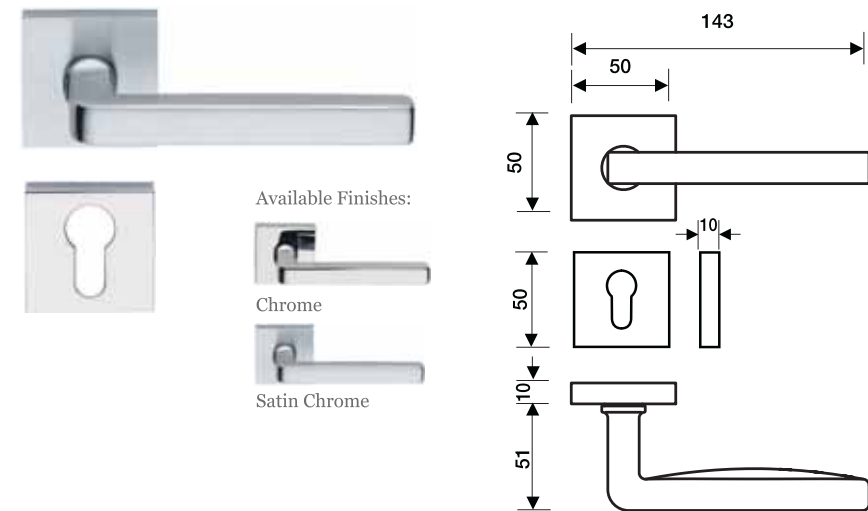
Designer : Ron Arad
Material : Brass



H361 R8Y

Serie AC4 Duemilasei

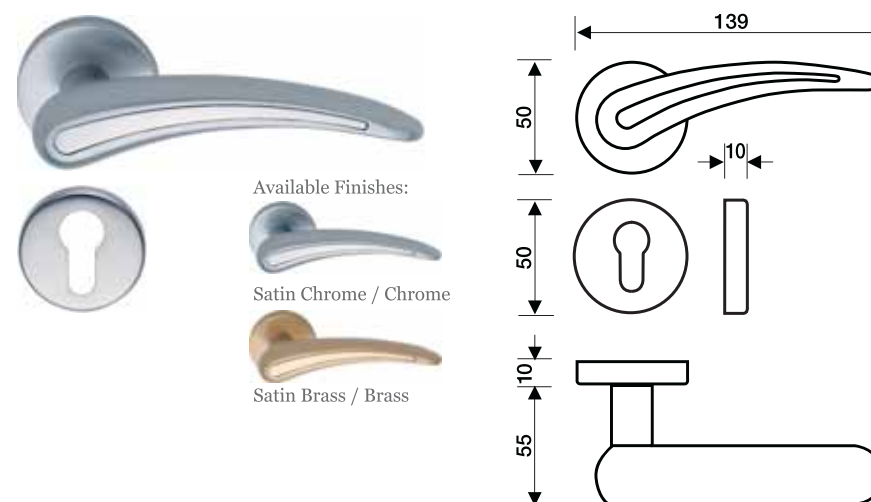
Designer : Antonio Citterio
con Toan Nguyen
Material : Nikrall lega Zama



H337 R8Y

Serie GP Novantotto

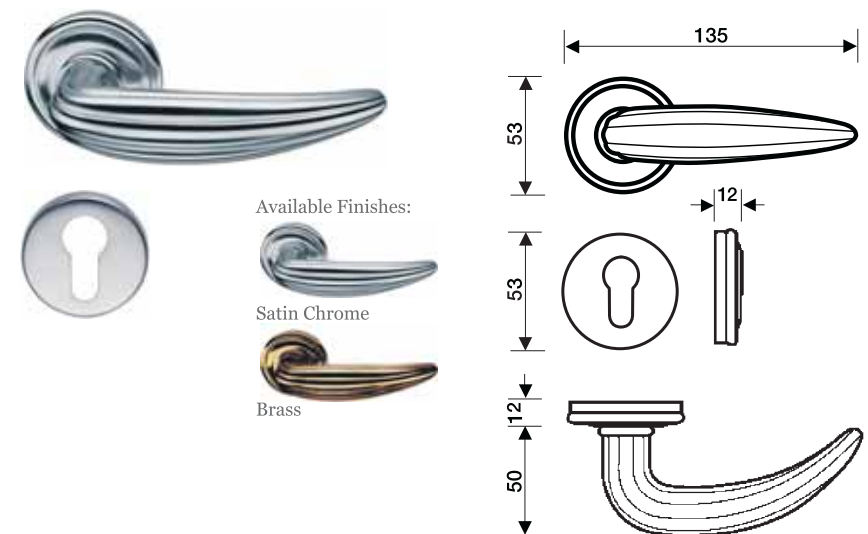
Designer : Gustav Peichl
Material : Brass



H331 R8Y

Serie MG Novantotto

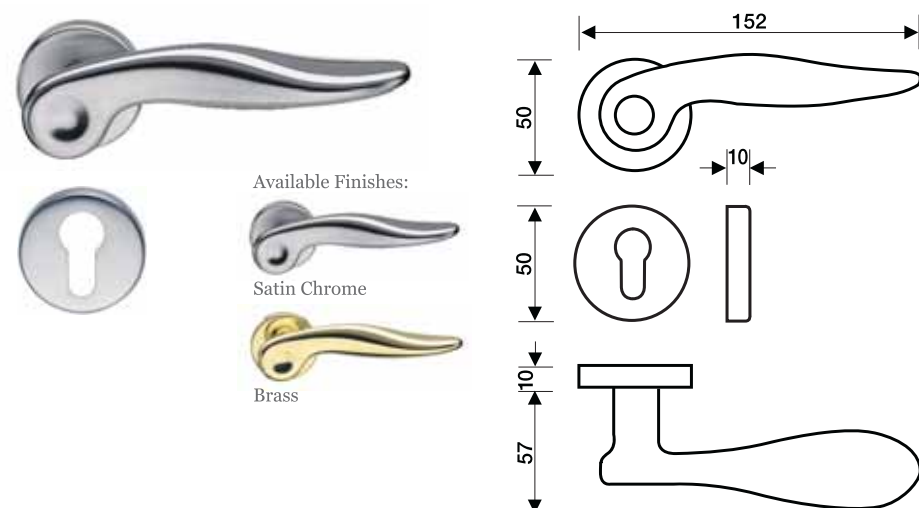
Designer : Michael Graves
Material : Brass



H334 R8Y

Serie NF Novantotto

Designer : Foster and Partners
Material : Brass

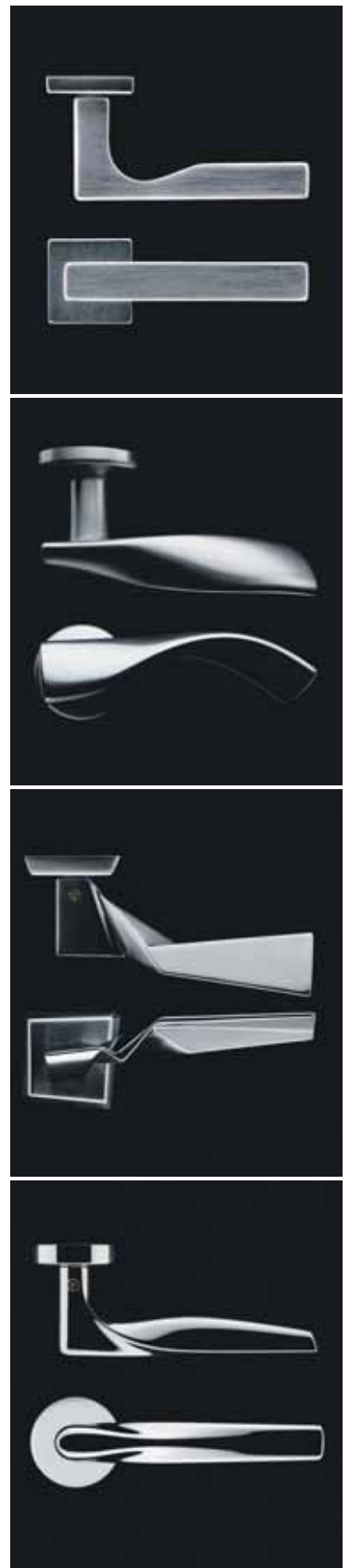


H330 R8Y

Serie T Novantasette

Designer : Matteo Thun
Material : Brass





www.equip-design.com



EQUIP
DESIGN
LOCK & BATH
Established since 1974

EQUIPDESIGN **EQUIPQUALITY** **EQUIPSERVICE** **EQUIPADVICE** **EQUIPVALUE**